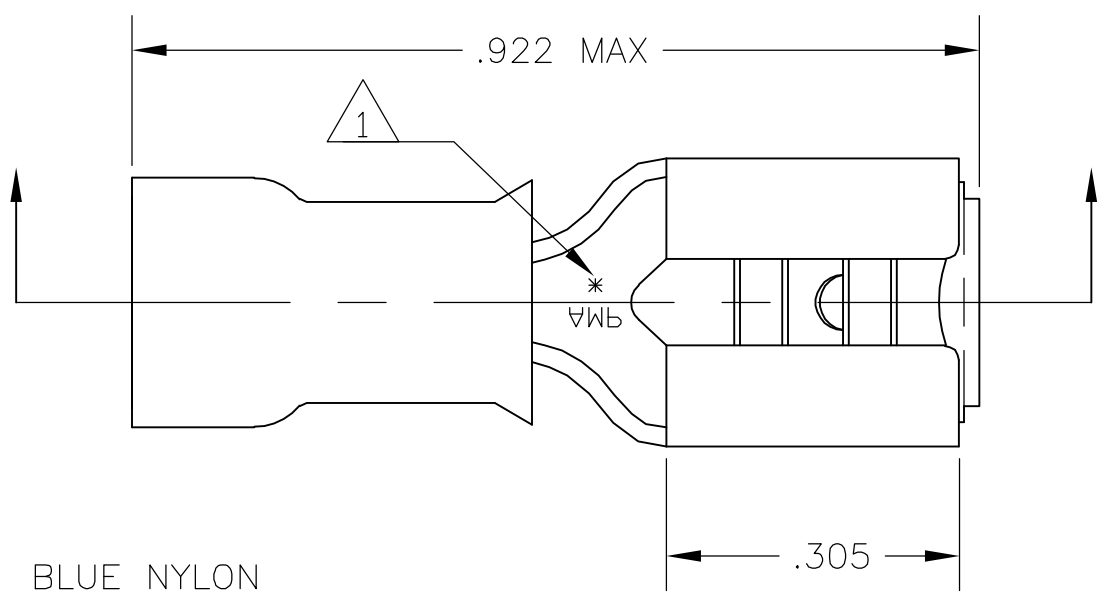
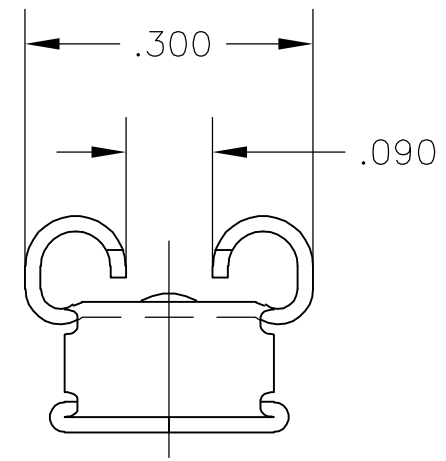
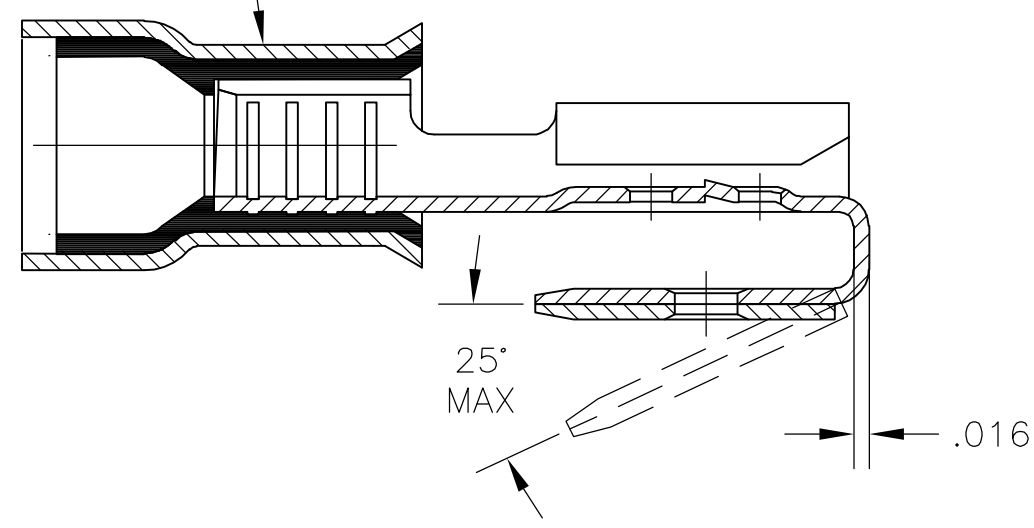


THIS DRAWING IS UNPUBLISHED. RELEASED FOR PUBLICATION
 © COPYRIGHT BY TYCO ELECTRONICS CORPORATION. ALL RIGHTS RESERVED.

LOC	DIST	REVISIONS			
P	LTR	DESCRIPTION	DATE	DWN	APVD
G	02	F2	REV PER ECR 05-021312	05SEP06	JR TM



BLUE NYLON INSULATION



- 1 MATING TAB THICKNESS .032
- 2 ASTERISK * FOR PHOS. BRONZE ITEMS ONLY.
- 3 WIRE INSULATION DIA TO BE .170 MAX.
- 4 MAX RECOMMENDED OPERATING TEMP IS 105°C OR 221°F.
- 5 VOLTAGE RATING IS 300V MAX
- 6 CIRCULAR MIL AREA 1.0-2.5mm² [1973-4934].

PHOS BRONZE ELECTRO-TIN	2	9-160463-5
BRASS ELECTRO-TIN		9-160463-2
DESCRIPTION		PART NO

THIS DRAWING IS A CONTROLLED DOCUMENT.		DWN	jr_ruth	11JUL05	Tyco Electronics Corporation Harrisburg, Pa 17105-3608	
DIMENSIONS: INCHES		CHK	T MICHIELUTTI	11JUL05		
		TOLERANCES UNLESS OTHERWISE SPECIFIED:		APVD	NAME	
0 PLC ± -		1 PLC ± -		T MICHIELUTTI	250 SERIES P.I.D.G. FASTON REC, ASS'Y, PIGGYBACK	
2 PLC ± .02		3 PLC ± .005		PRODUCT SPEC	WIRE SIZE : 16-14 AWG	
4 PLC ± -		ANGLES ± 0'30'		APPLICATION SPEC	SIZE	CAGE CODE
MATERIAL -		FINISH -		WEIGHT -	A3	00779
CUSTOMER DRAWING				SCALE	5:1	SHEET
				RESTRICTED TO	1	OF
				REV	F2	
				DRAWING NO	C-160463	